

ESA1002

FORCED AIR COOLED TRIODE

GENERAL

The ESA1002 is a forced air cooled triode having a directly heated thoriated tungsten filament. It has a maximum anode dissipation of 12 kW and a maximum anode voltage rating of 10 kV, the maximum operating frequency at full rating being 40 Mc/s.

RATING

Filament Voltage	(volts)	V_f	8.0
Filament Current	(amps)	I_f	124
Maximum Anode Voltage	(kV)	$V_a(\max)$	10.0
Maximum Anode Dissipation	(kW)	$P_a(\max)$	12.0
Maximum Cathode Current (Peak)	(amps)	$I_k(\max)pk$	33.0
Maximum Grid Dissipation	(watts)	$P_g(\max)$	800
Mutual Conductance	(mA/V)	g_m	35
Amplification Factor		μ	28
Anode Impedance	(ohms)	r_a	800
Maximum Operating Frequency (full rating)	(Mc/s)	$f(\max)$	40
Maximum R.F. Power Output	(kW)	P_{out}	35

INTER-ELECTRODE CAPACITANCES (pF)

Anode/Grid	c_{a-g1}	40
Anode/Filament	c_{a-f}	1.3
Grid/Filament	c_{g1-f}	56

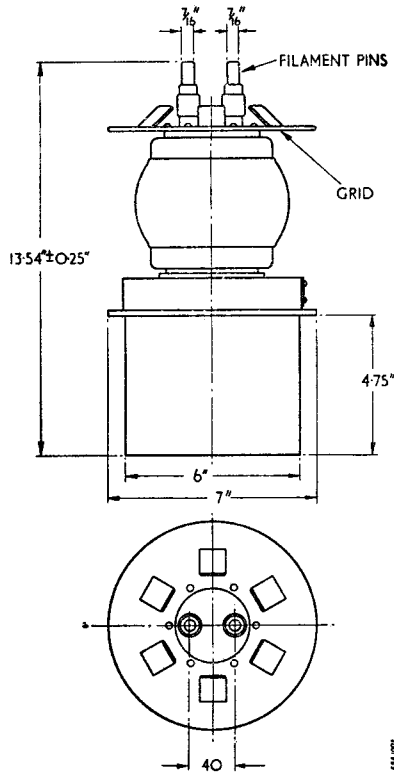


ESA1002**FORCED AIR COOLED TRIODE****AIRFLOW**—400 cu. ft. min.**DIMENSIONS**

Maximum Overall Length	(ins)	13 $\frac{1}{2}$
Maximum Diameter	(ins)	7 $\frac{1}{16}$
Approximate Nett Weight	(lbs)	28
Approximate Packed Weight	(lbs)	84

ESA1002

FORCED AIR COOLED TRIODE

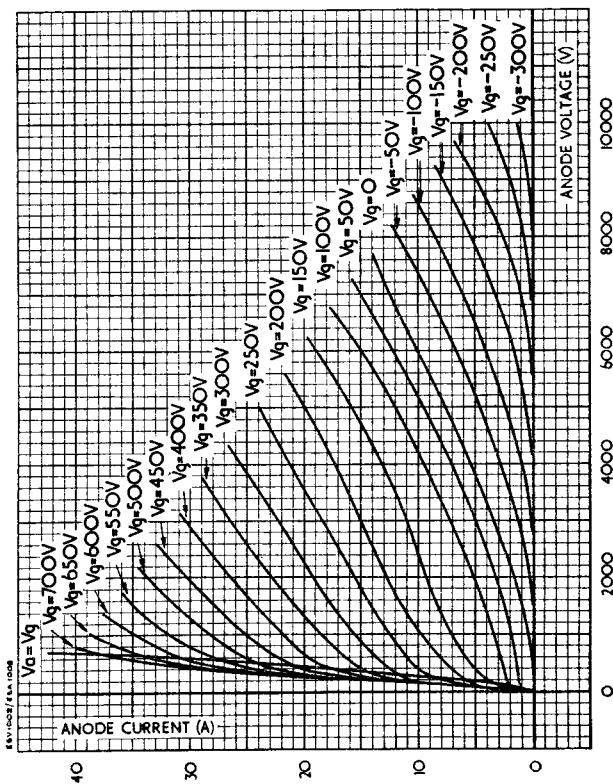


All dimensions in mm unless stated otherwise.

ESA1002

FORCED AIR COOLED TRIODE

TYPICAL CHARACTERISTIC CURVES : I_a/V_a



ESA1002

FORCED AIR COOLED TRIODE

TYPICAL CHARACTERISTIC CURVES : I_g/V_a

